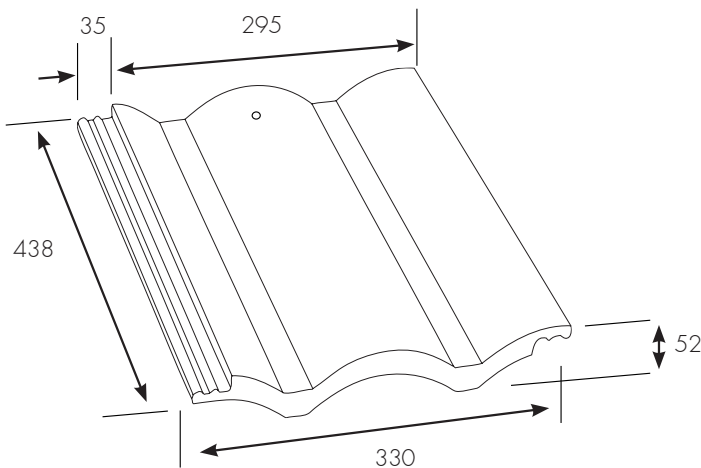


HACIENDA Specification



Length	438mm
Width	330mm
Weight per Tile	5.0kg
Weight per m²	53.0kg
Coverage per m²	Approx. 10.6 tiles
Min. Pitch with Sark	15°
Min. Pitch without Sark	Greater than 20°
Bond Type	Straight
Min. Head Lap	80mm. This may increase according to set out. Head lap should not exceed 110mm.
Manufacture	Made in Australia. Extruded concrete interlocking roof tile with fused or integral colour and clear sealer coat. Manufactured to exceed the minimum requirements of AS2049 - 1992.
Wind & Terrain	Speak to monierprime for guidance on wind and terrain requirements.



Tile test data represents average results for tile production. Specific tests should be taken from relevant tile lot. Tests comply with Australian Standard Test Methods AS2049-2002 and AS2050 as applicable.